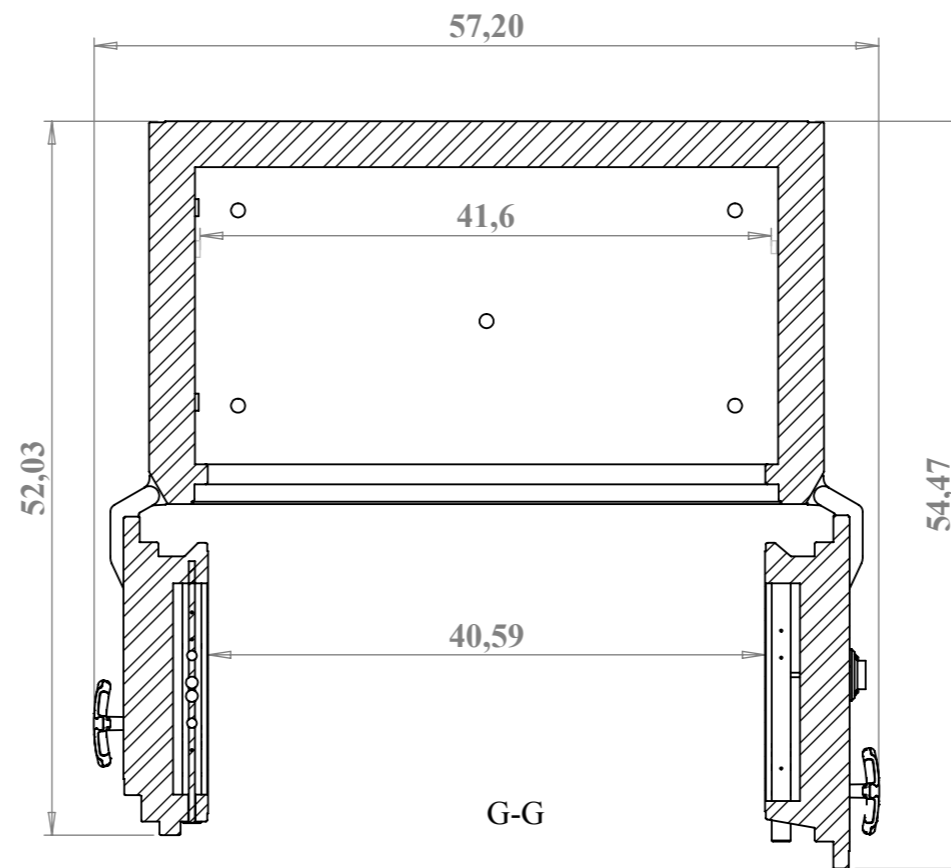
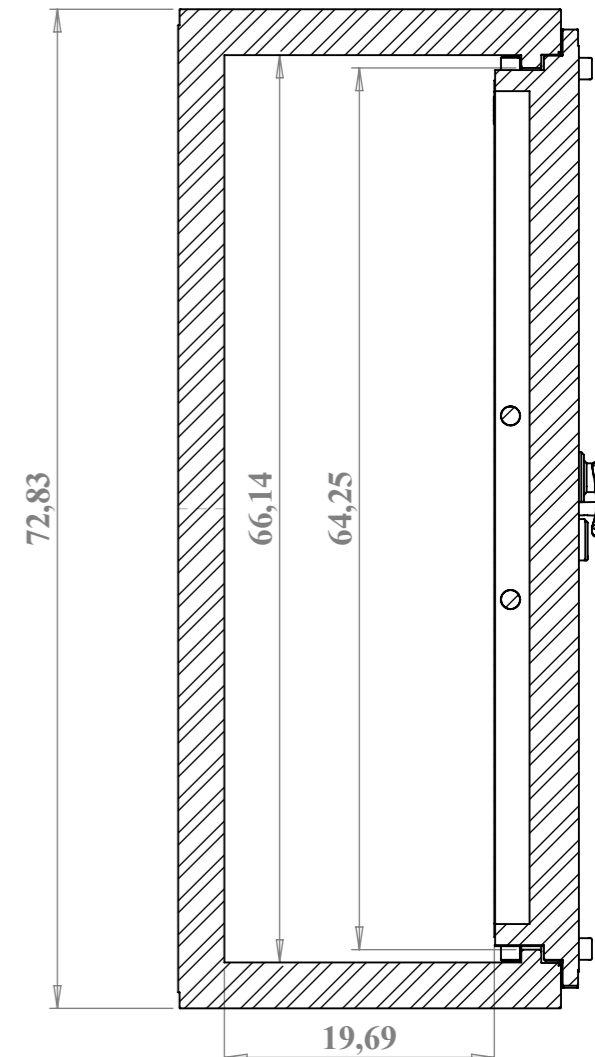


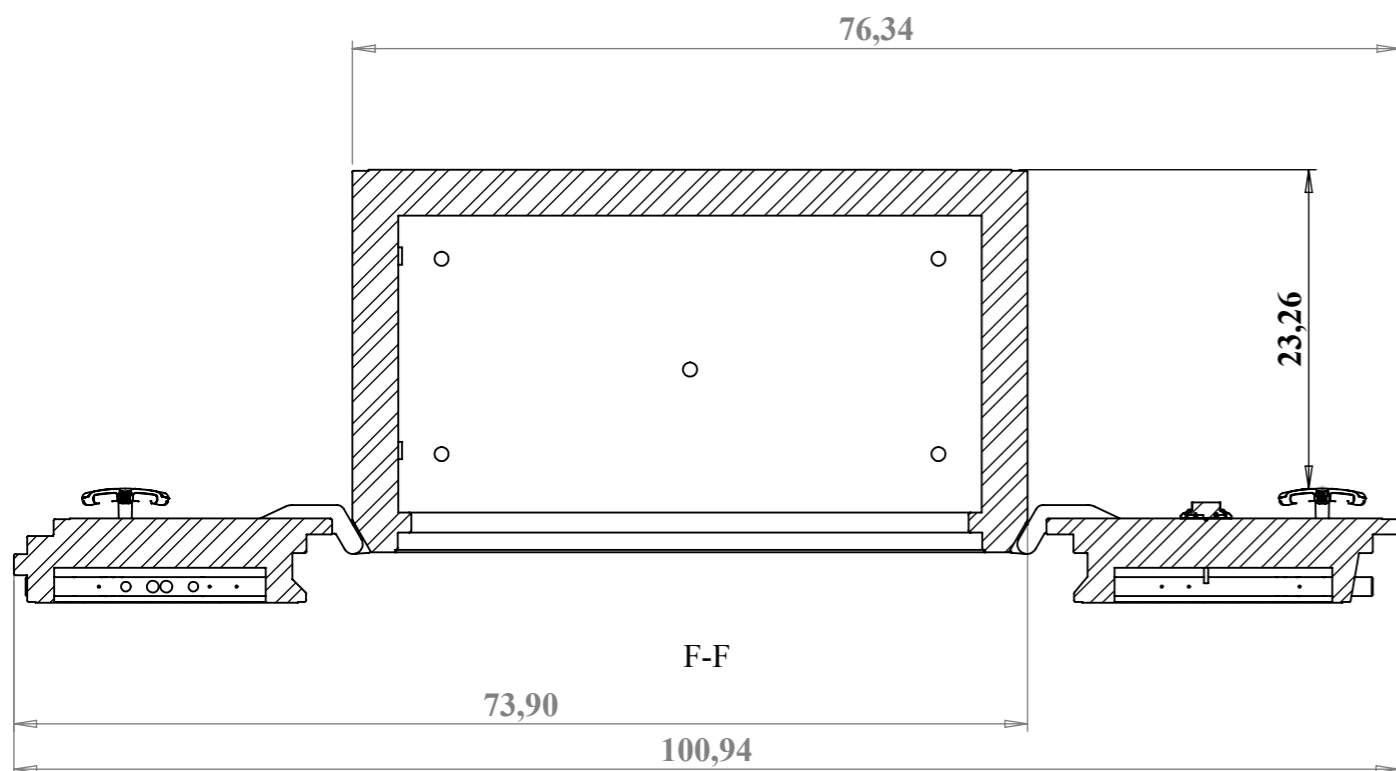
I-I (1 : 15)



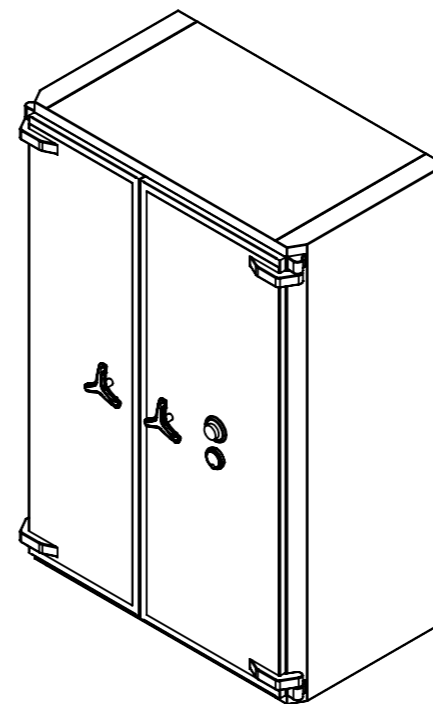
G-G


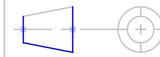


H-H



F-F



| | | |
|--|--|--|
| D | - | - |
| C | - | - |
| B | - | - |
| <i>Warning! Modifications only in Bazancourt</i> | | |
| Part | CHUBBSAFES Model 6643EX (906) | Material |
| Product | CERTIFIED SAFE (EMPIRE SAFE) | Finishing |
|  <i>For a safer world®</i> | | General tolerance |
| | | Scale : 1/14  |
| Drawing by : C.Baron | | A3: 38 96 070 A |
| Creation date : 07/06/2010 | | |