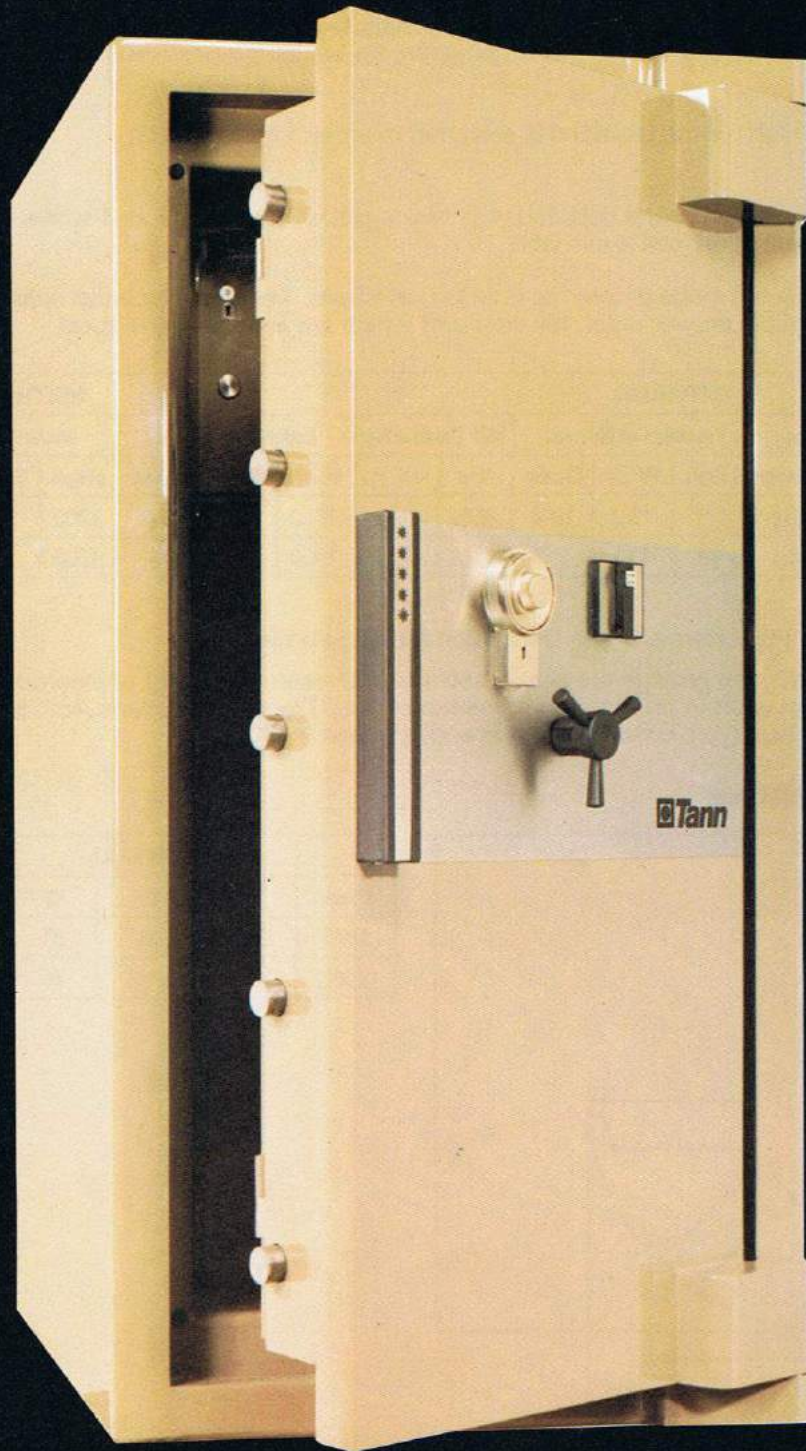


Tann

Diamond



TS5



1600D



1200D

TANN TS5 DIAMOND

To protect the priceless . . .

From time to time the House of Tann is called upon to provide the ultimate in physical protection in the form of a safe incorporating every conceivable security measure to combat all known types of attack and some as yet unused by criminals.

Such a safe is the Diamond.

In designing this remarkable safe cost is a secondary consideration. Only the best in materials, techniques and skills is specified. Only a limited number of Diamond safes are manufactured to order. Only the House of Tann with its long and unrivalled experience of high-security engineering for banks, governments and jewellers could build the Diamond.

Of necessity the price is high for the Diamond is designed to protect the priceless.

LOCKING: In standard form the safe is supplied with two locks, either key lock or 4-wheel combination lock. An optional third key or combination lock is available.

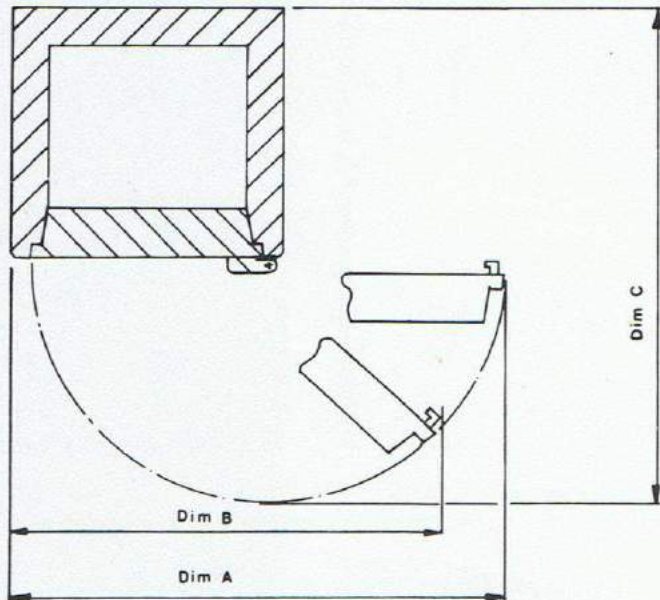
INTERNAL FITTINGS: A full range of internal fittings is available. The range includes adjustable shelves, cupboards, single and double drawer units, full details of which are available on request.

Size	IMPERIAL								METRIC							
	External Dims			Internal Dims			Wt Capacity		External Dims			Internal Dims			Wt Capacity	
	High	Wide	Deep	High	Wide	Deep	lbs	cu.ft.	High	Wide	Deep	High	Wide	Deep	Kg	Ltrs
1200	59	31 $\frac{1}{2}$	33 $\frac{3}{8}$	47 $\frac{1}{4}$	19 $\frac{11}{16}$	19 $\frac{11}{16}$	5680	10 $\frac{1}{2}$	1500	800	847	1200	500	500	2576	300
1600D	74 $\frac{7}{8}$	38 $\frac{3}{8}$	35 $\frac{3}{8}$	63	27 $\frac{1}{2}$	21 $\frac{5}{8}$	7144	21 $\frac{3}{4}$	1900	1000	897	1600	700	550	3635	616

Note: Add 60 mm (2.36") to External Depth Dimension for hinge projection.

In line with our policy always to provide the best in security, we reserve the right to incorporate any improvements and alter any specification without prior notice. By virtue of the "Trade Descriptions Act" all dimensions, weights and capacities must necessarily be considered to be approximate.

DOOR SWING DIMENSIONS



Size	IMPERIAL			METRIC		
	A	B	C	A	B	C
1200	54 $\frac{3}{32}$	48	61	1381	1218	1526
1600D	70 $\frac{3}{16}$	61 $\frac{1}{2}$	76	1781	1560	1776



John Tann Limited Stirling Corner Borehamwood Hertfordshire WD6 2AB England
 telephone 01-953 2021 telex 21751 cables Johntann Borehamwood

Ref: TSD/33/82