



SECURIFORT
INC

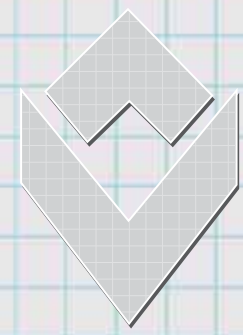
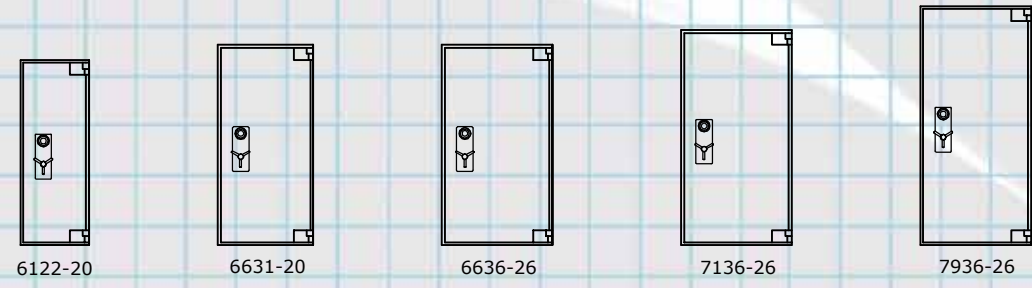
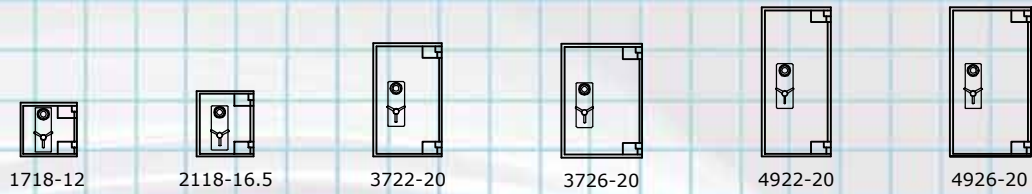


- ◆ **Tool resistant**
- ◆ **TL-15 UL series bank rated**



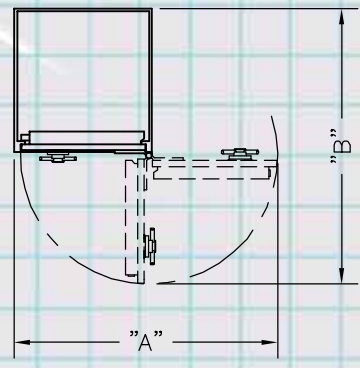
**Tool Resistant
TL-15 Plate Safe**

PC-772-R1



SECURIFORT
INC

**TOOL-RESISTANT
TL-15 PLATE SAFE
1/2" HIGH TENSILE BODY**



** SAFE MUST BE ANCHORED TO FLOOR.
* SAFE HAVE 1" TH. STEEL BACK PLATE.

MODELS	DOOR SWING DIMENSIONS	
	"A"	"B"
1718-12	36"	34 1/2"
2118-16.5	36"	39"
3722-20	44"	47 1/2"
3726-20	52"	51 1/2"
4922-20	44"	47"
4926-20	52"	51"
6122-20	44"	47"
6631-20	62"	56"
6636-26	72"	67"
7136-26	72"	67"
7936-26	72"	67"

MODELS	INSIDE DIMENSIONS			OUTSIDE DIMENSIONS			CLEAR OPEN		OVERALL DEPTH	cu. ft. Capacity	WEIGHT	SHELVES QTY
	HEIGHT	WIDTH	DEPTH	HEIGHT	WIDTH	DEPTH	HEIGHT	WIDTH				
** 1718-12	17"	18"	12"	18"	19"	16 1/2"	15 1/2"	15 1/2"	18 1/2"	2,12	350 lbs	1
** 2118-16.5	21"	18"	16 1/2"	22"	19"	21"	19 1/2"	15 1/2"	23"	3,60	470 lbs	2
* 3722-20	37"	22"	20"	38"	23"	25"	34 1/2"	19 1/2"	27"	9,42	850 lbs	3
* 3726-20	37"	26"	20"	38"	27"	25"	34 1/2"	23 1/2"	27"	11,13	1015 lbs	3
4922-20	49"	22"	20"	50"	23"	24 1/2"	46 1/2"	19 1/2"	26 1/2"	12,47	970 lbs	4
4926-20	49"	26"	20"	50"	27"	24 1/2"	46 1/2"	23 1/2"	26 1/2"	14,74	1085 lbs	4
6122-20	61"	22"	20"	62"	23"	24 1/2"	58 1/2"	19 1/2"	26 1/2"	15,53	1170 lbs	5
6631-20	66"	31"	20"	67"	32"	24 1/2"	63 1/2"	28 1/2"	26 1/2"	23,68	1570 lbs	5
6636-26	66"	36"	26"	67"	37"	30 1/2"	63 1/2"	33 1/2"	32 1/2"	35,75	1920 lbs	5
7136-26	71"	36"	26"	72"	37"	30 1/2"	68 1/2"	33 1/2"	32 1/2"	38,45	2040 lbs	6
7936-26	79"	36"	26"	80"	37"	30 1/2"	76 1/2"	33 1/2"	32 1/2"	42,79	2300 lbs	6

PC 772 R1

www.securifort.com