



SECURIFORT
INC



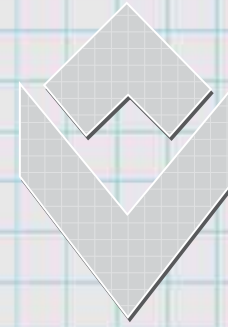
- ❖ **TL15 rated mechanism**
- ❖ **Pry resistant door**
- ❖ **Formed Body**
- ❖ **Re-locking device with 1/4 thick hard plate**
- ❖ **Choice of many standard dimensions**
- ❖ **"B" rated safe**



"B" Rated Safe
PC 685

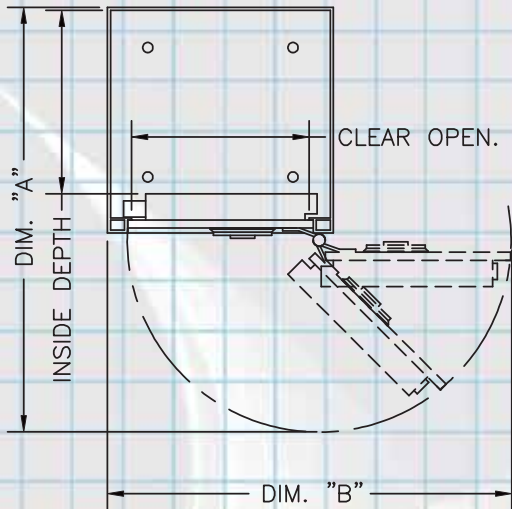
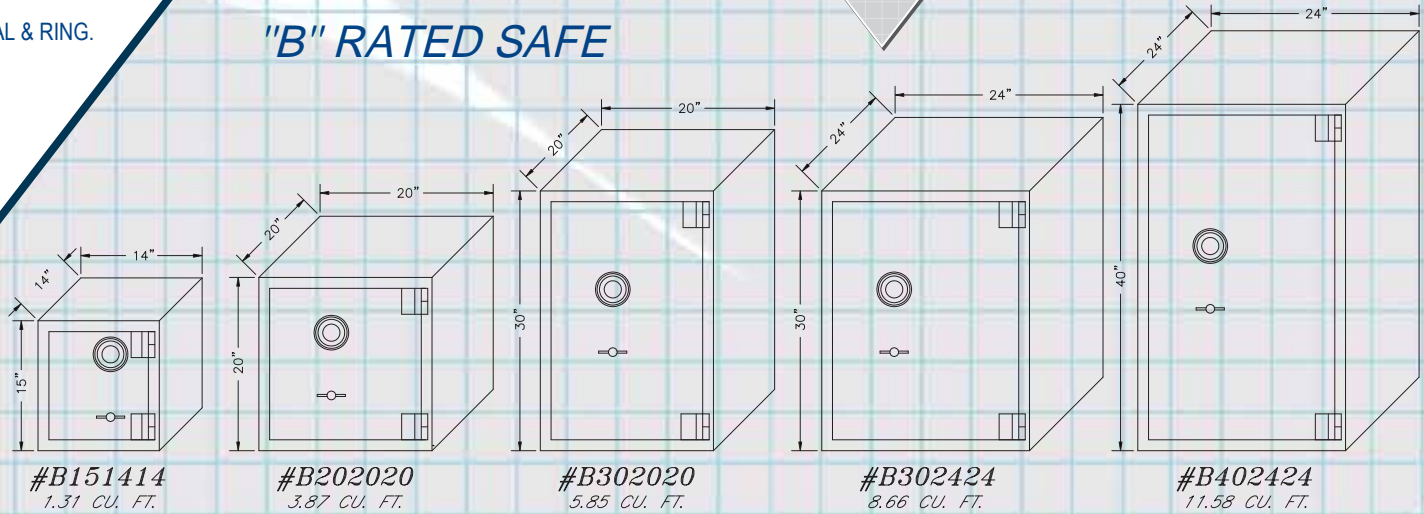
SPECIFICATIONS:

- ◆ BODY BUILT IN 3/16" THICK SOLID STEEL.
- ◆ DOOR MADE OF 1/2" THICK SOLID STEEL.
- ◆ LOCK #6730 S&G STANDARD WITH ILCO FLUSH DIAL & RING.
- ◆ BOLT WORK WITH ONE SOLID STEEL SLIDING PLATE 1/2" Th. x 5" & MECHANISM PROTECTED BY HARD PLATE.
- ◆ 4 ANCHOR HOLES 5/8 DIA.
- ◆ PAINTED FINISH.



SECURIFORT
INC

"B" RATED SAFE



MODEL #	B151414	B202020	B302020	B302424	B402424
DIM. "A"	26 5/16"	38 5/16"	38 5/16"	46 5/16"	46 5/16"
DIM. "B"	25"	37"	37"	45"	45"
CL. OPENING	11"	17"	17"	21"	21"
INS. DEPTH	11 3/8"	17 3/8"	17 3/8"	21 3/8"	21 3/8"
Overall DEPTH	14 3/4"	20 3/4"	20 3/4"	24 3/4"	24 3/4"
SHELF QTY	1	2	3	3	4
WEIGHT/lbs	95	170	230	285	355

PC 685

www.securifort.com