



SECURIFORT
INC



- ❖ **Tool resistant**
- ❖ **UL TL-30 resistant plate safe**

SECURITY

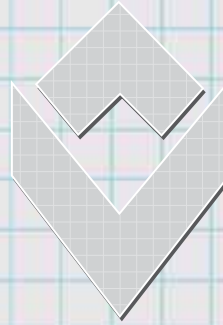


LISTED



**Tool Resistant
Plate Safe TL-30**

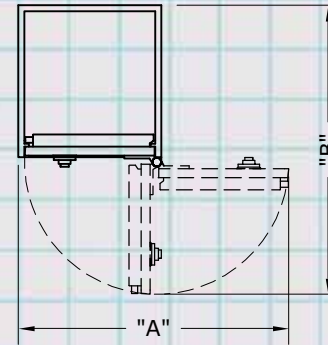
PC 574



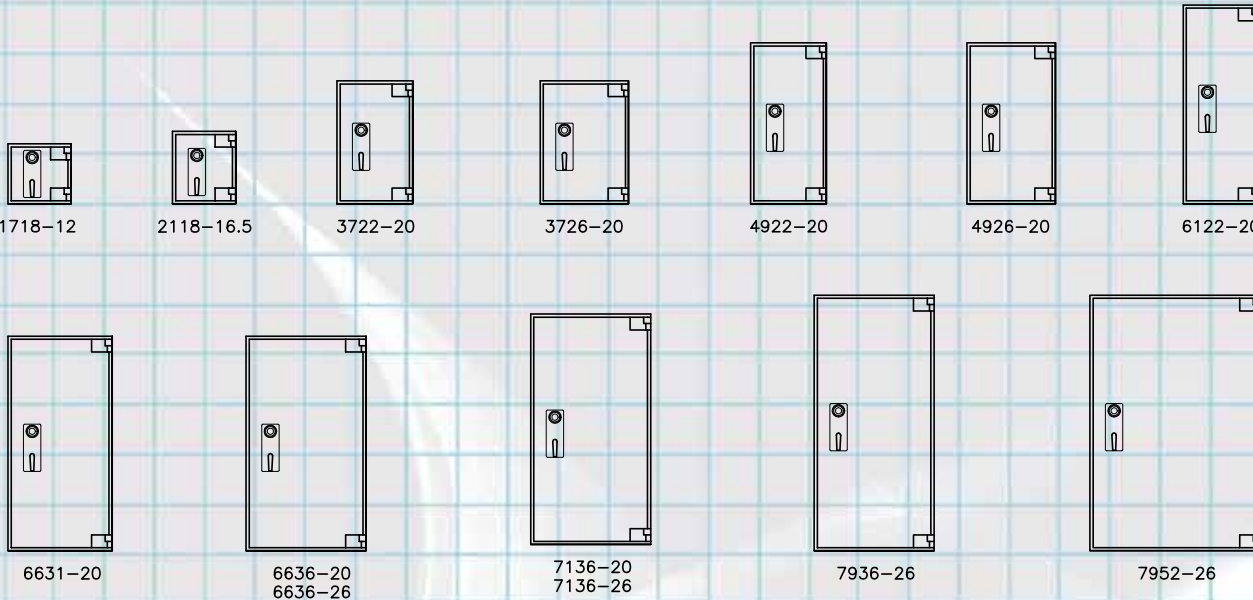
SECURIFORT
INC

**TOOL-RESISTANT
PLATE SAFE
TL-30**

| MODELS | INSIDE DIMENSIONS | | | OUTSIDE DIMENSIONS | | | CLEAR OPEN | | OVERALL DEPTH | cu. ft. Capacity | WEIGHT | SHELVES QTY |
|-----------|-------------------|-------|---------|--------------------|-------|---------|------------|---------|---------------|------------------|----------|-------------|
| | HEIGHT | WIDTH | DEPTH | HEIGHT | WIDTH | DEPTH | HEIGHT | WIDTH | | | | |
| 1718-12 | 17" | 18" | 12" | 19" | 20" | 17 1/2" | 16 1/2" | 16 1/2" | 19 1/2" | 2,12 | 590 lbs | 1 |
| 2118-16.5 | 21" | 18" | 16 1/2" | 23" | 20" | 22" | 20 1/2" | 16 1/2" | 24" | 3,60 | 780 lbs | 2 |
| 3722-20 | 37" | 22" | 20" | 39" | 24" | 25 1/2" | 36 1/2" | 20 1/2" | 27 1/2" | 9,42 | 1460 lbs | 3 |
| 3726-20 | 37" | 26" | 20" | 39" | 28" | 25 1/2" | 36 1/2" | 24 1/2" | 27 1/2" | 11,13 | 1625 lbs | 3 |
| 4922-20 | 49" | 22" | 20" | 51" | 24" | 25 1/2" | 48 1/2" | 20 1/2" | 27 1/2" | 12,47 | 1820 lbs | 4 |
| 4926-20 | 49" | 26" | 20" | 51" | 28" | 25 1/2" | 48 1/2" | 24 1/2" | 27 1/2" | 14,74 | 2015 lbs | 4 |
| 6122-20 | 61" | 22" | 20" | 63" | 24" | 25 1/2" | 60 1/2" | 20 1/2" | 27 1/2" | 15,53 | 2180 lbs | 5 |
| 6631-20 | 66" | 31" | 20" | 68" | 33" | 25 1/2" | 65 1/2" | 29 1/2" | 27 1/2" | 23,68 | 2885 lbs | 5 |
| 6636-20 | 66" | 36" | 20" | 68" | 38" | 25 1/2" | 65 1/2" | 34 1/2" | 27 1/2" | 27,50 | 3185 lbs | 5 |
| 6636-26 | 66" | 36" | 26" | 68" | 38" | 31 1/2" | 65 1/2" | 34 1/2" | 33 1/2" | 35,75 | 3545 lbs | 5 |
| 7136-20 | 71" | 36" | 20" | 73" | 38" | 25 1/2" | 70 1/2" | 34 1/2" | 27 1/2" | 29,58 | 3390 lbs | 6 |
| 7136-26 | 71" | 36" | 26" | 73" | 38" | 31 1/2" | 70 1/2" | 34 1/2" | 33 1/2" | 38,45 | 3760 lbs | 6 |
| 7936-26 | 79" | 36" | 26" | 81" | 38" | 31 1/2" | 78 1/2" | 34 1/2" | 33 1/2" | 42,79 | 4105 lbs | 6 |
| 7952-26 | 79" | 52" | 26" | 81" | 54" | 31 1/2" | 78 1/2" | 50 1/2" | 33 1/2" | 61,81 | 5100 lbs | 6 |



| MODELS | DOOR SWING DIMENSIONS | |
|-----------|-----------------------|---------|
| | "A" | "B" |
| 1718-12 | 37 1/2" | 36 1/2" |
| 2118-16.5 | 37 1/2" | 40 1/2" |
| 3722-20 | 45 1/2" | 48 1/2" |
| 3726-20 | 53 1/2" | 52 1/2" |
| 4922-20 | 45 1/2" | 48 1/2" |
| 4926-20 | 53 1/2" | 52 1/2" |
| 6122-20 | 45 1/2" | 48 1/2" |
| 6631-20 | 63 1/2" | 57 1/2" |
| 6636-20 | 73 1/2" | 62 1/2" |
| 6636-26 | 73 1/2" | 68 1/2" |
| 7136-20 | 73 1/2" | 62 1/2" |
| 7136-26 | 73 1/2" | 68 1/2" |
| 7936-26 | 73 1/2" | 68 1/2" |
| 7952-26 | 104 1/2" | 84 1/2" |



PC 574

www.securifort.com