



SECURIFORT
INC



- ◆ **UL Listed group II lock**
- ◆ **Pry-Resistant door**
- ◆ **Formed Body**

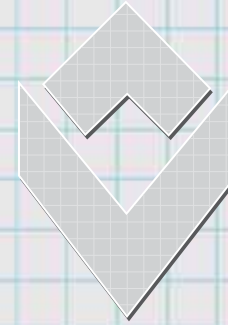


**Deposit Safe
With Combination Lock**

PC 413 C

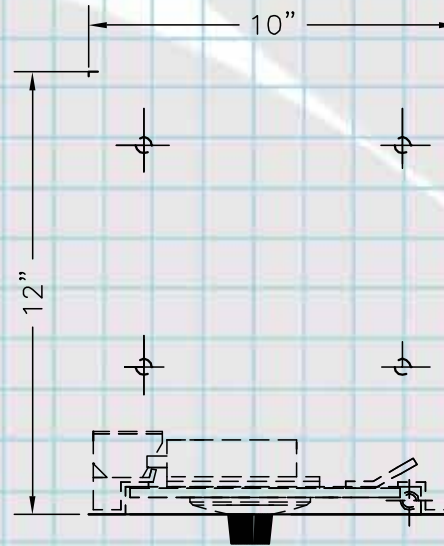
SPECIFICATIONS:

- ◆ BODY BUILT IN 1/8" THICK SOLID STEEL.
- ◆ DOOR MADE OF 1/4" THICK SOLID STEEL.
- ◆ DEPOSIT OPENING OF 1/2" x 5 1/2" WITH ANTI-FISH DOUBLE PROTECTIVE STEEL BAFFLE.
- ◆ PROTECTIVE STEEL PLATE OVER LATCH.
- ◆ 4 ANCHORING HOLES ON TOP AND BOTTOM PLATE, WITH FIXING BRACKETS.
- ◆ DOOR PROTECTED BY ONE 3 WHEEL COMBINATION LOCK WITH FRONT READING DIAL.
- ◆ HIGH QUALITY PAINT WITH ANTI-RUST TREATMENT.
- ◆ WEIGHT: 28 LBS (12,7 KG)

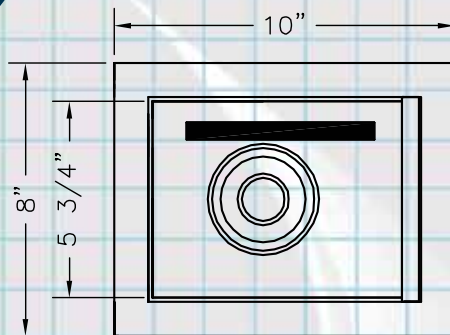
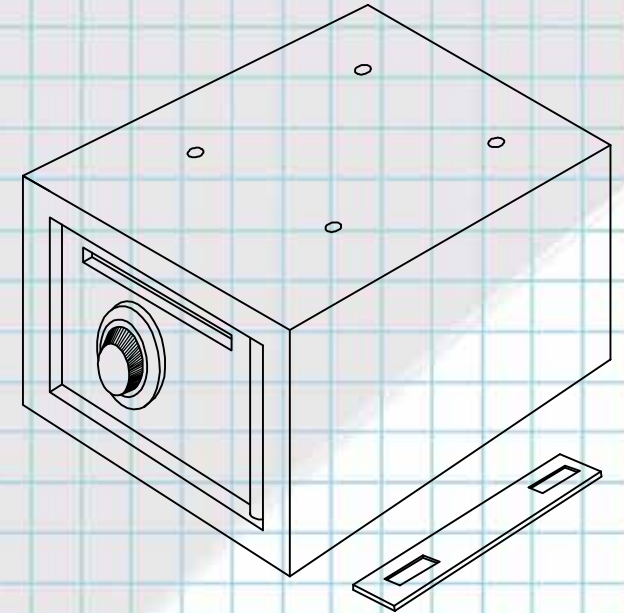


SECURIFORT
INC

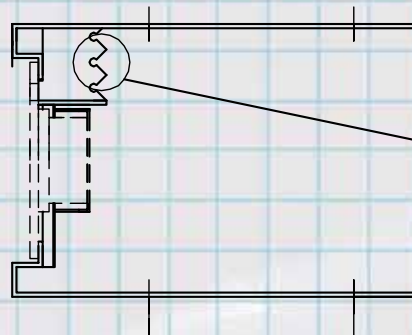
DEPOSIT SAFE



TOP VIEW



ELEVATION



VERTICAL SECTION

DETAIL OF
DOUBLE PROTECTION
STEEL BAFFLE.

PC 413 C

www.securifort.com