



SECURIFORT
INC



- ◆ Full size door
- ◆ Re-locking device with 1/4 inch thick hard plate
- ◆ 1 inch thick door (C rated)
- ◆ Gas cylinder for easy opening

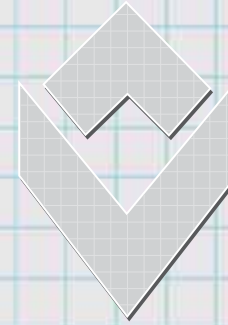


Floor Safe
1" steel door

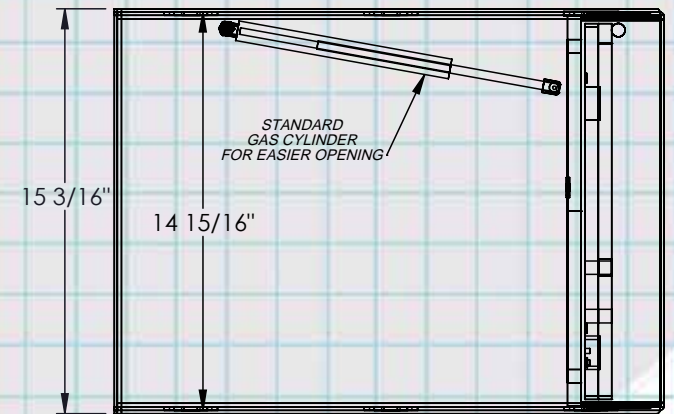
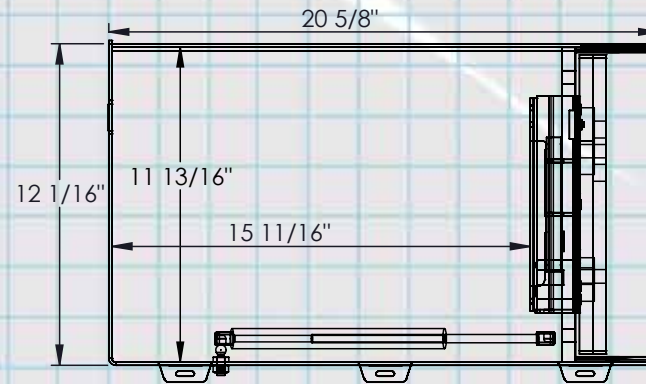
FS-C121516

SPECIFICATIONS:

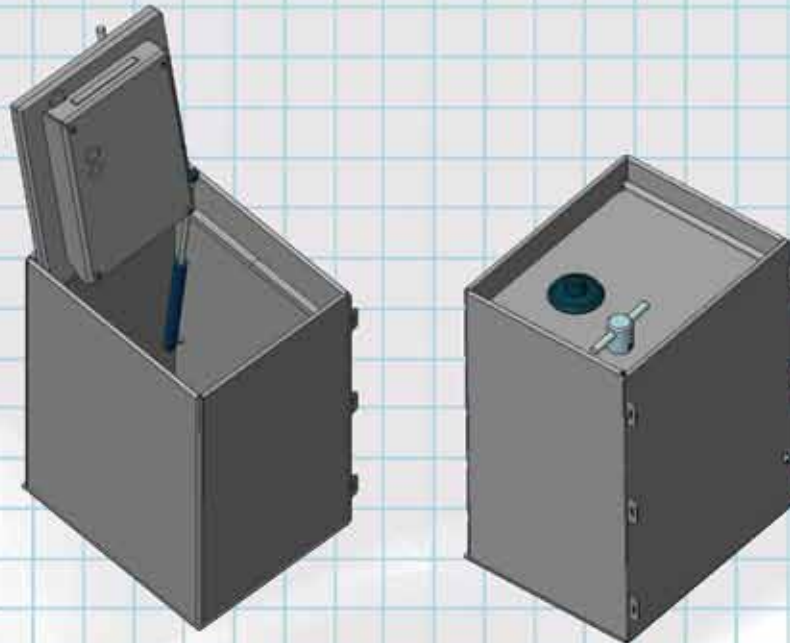
- FRONT FRAME IN 1/4" THICK SOLID STEEL.
- DOOR MADE OF 1" THICK SOLID STEEL.
- DOOR IS LOCKED BY A MASSIVE SLIDING PLATE OF 1/2" X 5".
- THE MECHANISM IS PROTECTED BY A HARD PLATE 1/4" THICK.
- THE MECHANISM IS ALSO PROTECTED BY A 3 WHEEL COMBINATION LOCK THAT IS CONNECTED TO RELOCKING DEVICES IN CASE OF FORCED ENTRY ATTEMPT.
- FLOOR COVER INCLUDED.
- CUBIC CAPACITY: 2798 CU IN.
- APPROX WEIGHT: 142 LBS.
- COLOR: CHARCOAL GREY.



SECURIFORT
INC



**FLOOR SAFE
1" STEEL DOOR**



FS-C121516

www.securifort.com