



SECURIFORT
INC

- ❖ **Maximum security at an affordable price**
- ❖ **C Rated door**
- ❖ **UL listed group II lock**

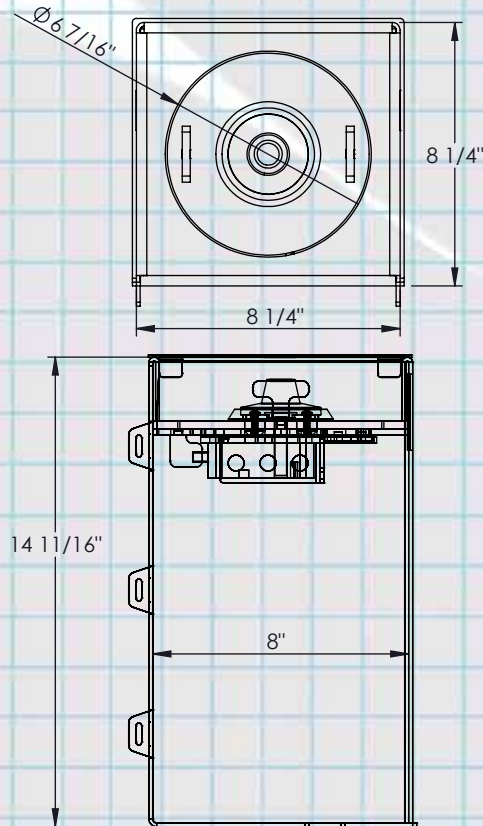
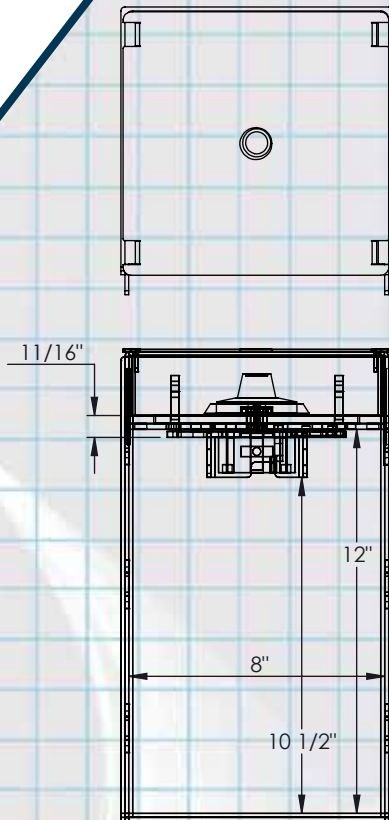


Floor Safe
1" steel door

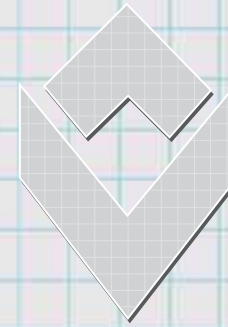
FS-C080812

SPECIFICATIONS:

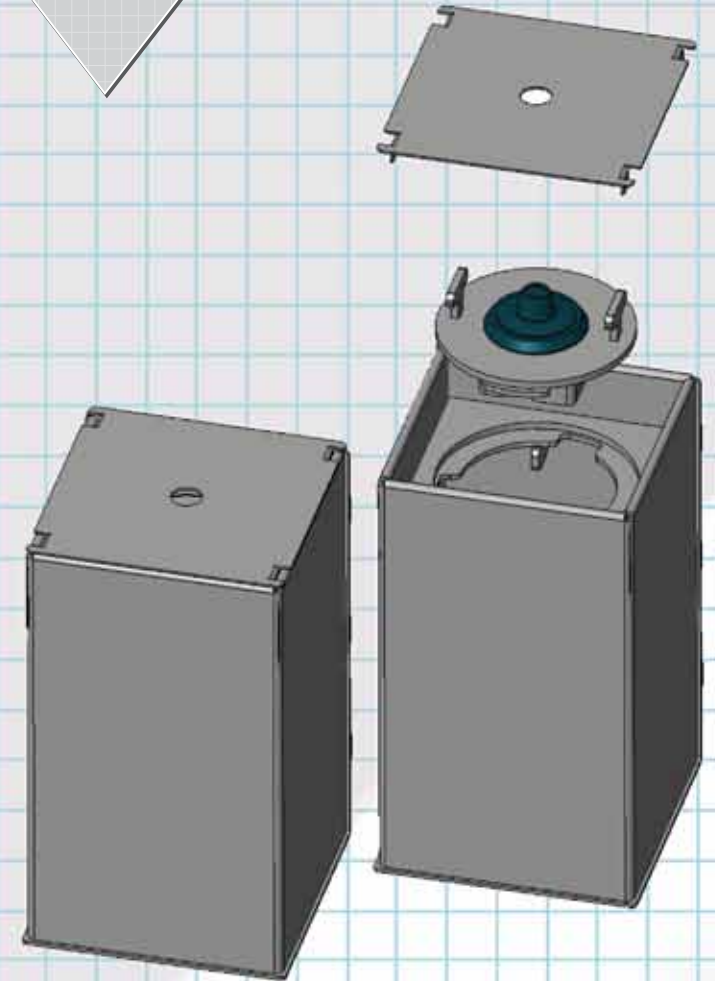
- ◆ FRONT FRAME BUILT IN 1/4" THICK SOLID STEEL.
- ◆ DOOR MADE OF 1" THICK SOLID STEEL.
- ◆ THE MECHANISM IS PROTECTED BY A HARD PLATE 1/4" THICK.
- ◆ THE MECHANISM IS ALSO PROTECTED BY A 3 WHEEL COMBINATION LOCK.
- ◆ FLOOR COVER INCLUDED.
- ◆ CUBIC CAPACITY: 640 CU IN.
- ◆ APPROX WEIGHT: 34 LBS.
- ◆ COLOR: CHARCOAL GREY.



**FLOOR SAFE
1" STEEL DOOR**



**SECURIFORT
INC**



FS-C080812

www.securifort.com