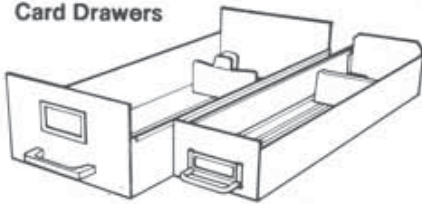


# INTERIOR COMPONENTS

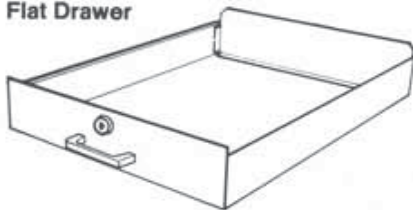
Schwab Record Safe interior components are welded steel construction, finished in an attractive and durable off-white baked enamel, and grouped in a variety of functional arrangements. All compartments are accessible with the safe door open at 90°

## Card Drawers



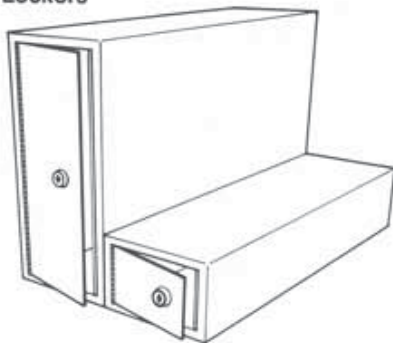
Available in two sizes to accommodate 3x5 or 5x8 filing cards. Includes handle, label holder, and follower block.

## Flat Drawer



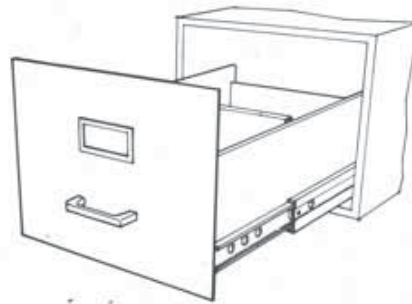
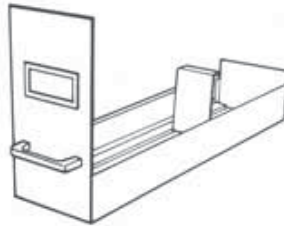
Complete with handle and key lock. Can be used with removable cash tray or check tray.

## Lockers



Available in four sizes. Furnished with key lock.

## Files



Available in legal, letter, and document sizes. Each is furnished with handle, label holder, and follower block. Full extension ball bearing suspension on legal and letter sizes.

## Adjustable Shelves

Available in five sizes for 18", 25", 30", 36", and 40" wide safes. Shelves may be adjusted at ½" intervals, added, or removed as required.

## Removable Trays

For use inside flat drawers. Model 108A Cash Tray. Model 108B Check Tray—will accommodate two rows of checks up to 8¼" wide x 3¾" high. Complete with follower blocks and divider insert.

## Options

### KEY LOCK

Available for 3x5 and 5x8 Card Drawers.

### THREE-TUMBLER COMBINATION LOCK

Available on all lockers.

### MASTER KEYED LOCKS

Each key lock within unit(s) accepts a master key as well as its own individual key.

## Clear Filing Space

Component	W"	H"	D"	Component	W"	H"	D"
3x5 Drawer	5¼	3¼	13¾	8x12 Locker	7½	12¼	16¾
5x8 Drawer	8¼	5¾	13¾	12x16 Locker	16¾	12¼	16¾
Flat Drawer	16¼	3¾	16¾	3x5 Open			
Document File	4¾	11¾	13¾	Compartment	5½	3¾	16¾
Letter File	12	11¼	14¾	5x12 Open			
Legal File	15	11¼	14¾	Compartment	5½	12¼	16¾
3x5 Locker	5	3¾	16¾	5x8 Open			
5x12 Locker	5	12¼	16¾	Compartment	8½	5¾	16¾

## Warranty

If within one year from the date of purchase, a defect in material or workmanship appears in this Schwab product Schwab will repair or replace any equipment or parts in this product for the original purchaser, free of charge, after inspection in the field by Schwab or an authorized representative of Schwab. Service under this Warranty is available by simply contacting the dealer or seller of this Schwab product. Warranty service is available only in the United States and Canada.

Schwab's obligation under this Warranty is contingent upon proper installation and use of this product in accordance with factory recommendations and instructions, and shall not apply to equipment or parts which have been subject to misuse, negligence, accidents or tampering in any way so as to affect this product's normal performance. No affirmation of fact or promise made by the dealer or seller of this product, shall constitute a warranty that this product will conform to the affirmation or promise.

**This warranty is expressly in lieu of all other warranties, express or implied, including any implied warranty of merchantability or fitness, and of any other obligation on the part of Schwab. No person, firm or corporation is authorized to assume for Schwab any other liability in connection with the sale of this product.**

# SCHWAB®

Schwab Safe Co., Inc.  
3000 Main Street  
P.O. Box 5088  
Lafayette, Indiana 47903  
Tel. (800) 428-7678  
(800) 382-7532 in Indiana  
or (317) 447-9470  
Telex: 272360