

Rosengrens
Security and Tradition

Safes

BR 24 Jupiter



BR 24 Jupiter with 240-280 protecting points referring to SMS 3000

Use:

The BR 24 range of safes provide burglary and fire protection for cash and irreplaceable documents, within the limits decided by the Insurance companies.

The BR 24 safes were tested for burglary resistance and were awarded 240—280 points according to the common Nordic standard system (SMS 3000).

In addition to this very high degree of burglary resistance the safes carry also a fire protection — class A90 — certificate, which means protection against severe fire for at least 90 minutes.

Rosengrens BR safes are available in three different burglary resistant classes corresponding to different needs of protection (BR 24, BR 16 and BR 12).

Description:

The Safe's body is 130 mm thick and constructed of hardened concrete reinforced with steel and without joints, being cast in one piece.

The BR 24 is in addition equipped with Rosengrens special Torch and Drill Resisting material. The door being made of the same material is 144 mm thick. When closed it is secured to the safe by bolts, thus providing maximum protection around the entire door area.

The very strong construction of the safes ensures that they provide an excellent protection against any known or possible method of attack.

The BR 24 safe is available in three different sizes and can be delivered with right or left hung door.

Bolt system:

The very advanced bolt system is provided with dead and live relocking devices which protect the bolt mechanism against physical attacks as well as oxygen cutting and explosives.

BR 24-6 has 2 fixed and 4 movable bolts. BR 24-9 and BR 24-12 have 4 fixed and 6 movable bolts.

Locks:

BR 24 has as a standard Rosengrens changeable keylock type ABN-1.

Optional: Rosengrens combination lock CNAB-6.

The following combinations are available:

- One ABN-1
- Two ABN-1
- One ABN-1 + One CNAB-6 (only with right hung door)
- One CNAB-6

Interior fittings:

BR 24 can be equipped with many different interiors depending on use and need.

The safes can have movable or extending shelves, with lockable drawers or lockers and with filing rails.

For measurements see below.

Colour:

Ivory White structured lacquer with anodized front strip.

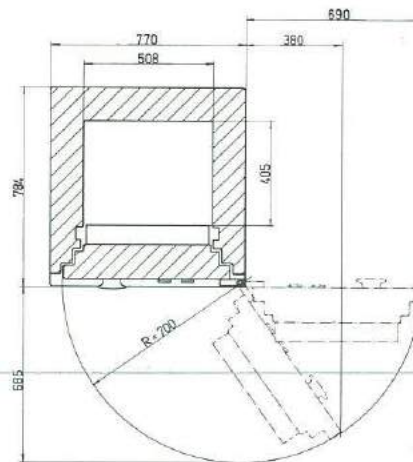
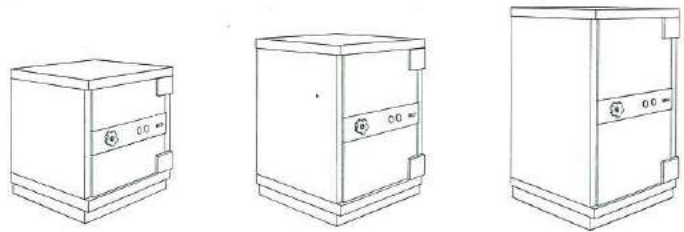
General:

The safes can be delivered with a 100 mm high base with a removable front plate which provides ease of handling when transported by a lifting device.

The safes can also be provided with holes in the base area and an assembling kit for securing the safe to the floor.

Design:

The BR safes have a modern design and are specially shaped to fit in most modern offices. The safes have been designed by the famous Scandinavian designer Peter Maddock.



Rosengrens
SWEDEN

BRANDKlass A90 <small>90 MINUTERS BRANDPROV TILLVERKNINGEN KONTROLLERAS AV STATENS PROVNINGSANSTALT</small>	FIRE PROTECTION CLASS A90 <small>90 MINUTES FIRE TEST THE MANUFACTURE IS SUPERVISED BY THE NATIONAL INSTITUTE FOR MATERIALS TESTING</small>
---	---

Rosengrens
SWEDEN

	SMS 3000 TYP 1 <small>SMS 3000 TYPE 1</small>	<small>TILLV. AR PROD. YEAR</small>
	<small>SKYDDSVARDE RESISTANCE POINTS</small>	<small>TILLV. NR SERIAL NO.</small>

BR 24	Volume litres	Height outer	Width outer	Depth outer	Height inner	Width inner	Depth inner	Weight kgs
Jupiter	6	123	860	770	784	600	405	1140
	9	185	1160					1395
	12	247	1460					1630

- Interior fittings:**
- Movable shelf BR
 - Extensible shelf BR
 - Lockable locker BR internal height 175 mm
 - Lockable locker BR internal height 325 mm
 - Lockable drawer BR internal height 75 mm
 - Extensible filing rail for A4 (305 mm)



E.A. Rosengrens AB
 Möindalsvägen 85
 S-412 85 Göteborg, Sweden. Ph. 031/81 39 50
 Telex 21468, Teleg. Earosengrens