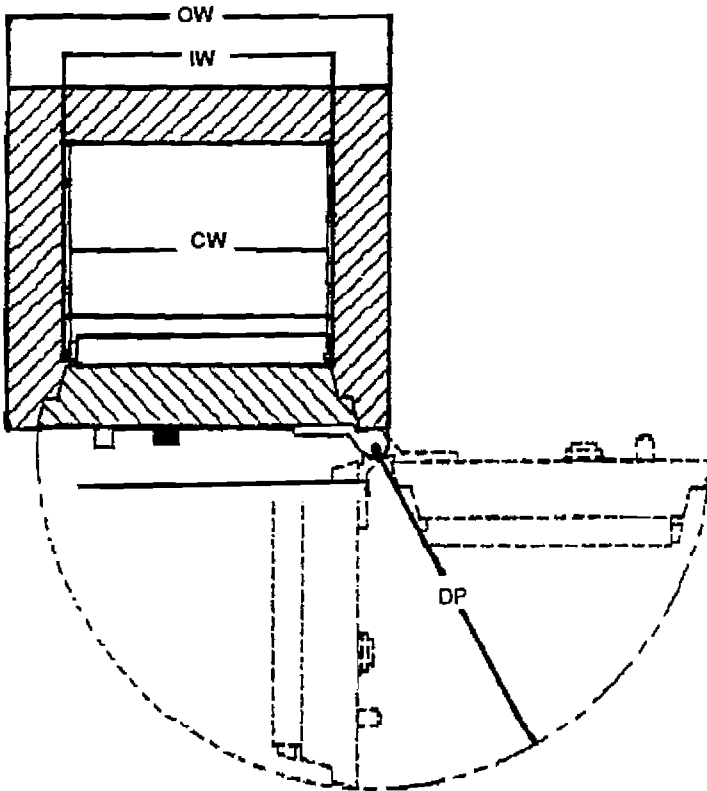
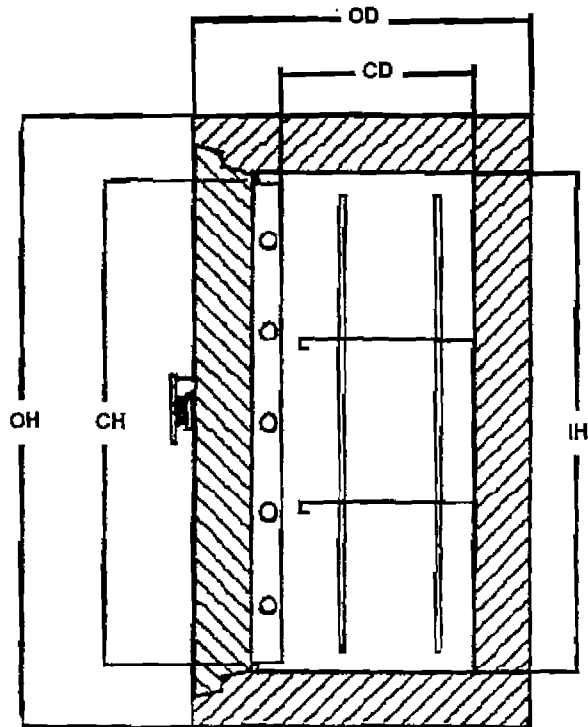
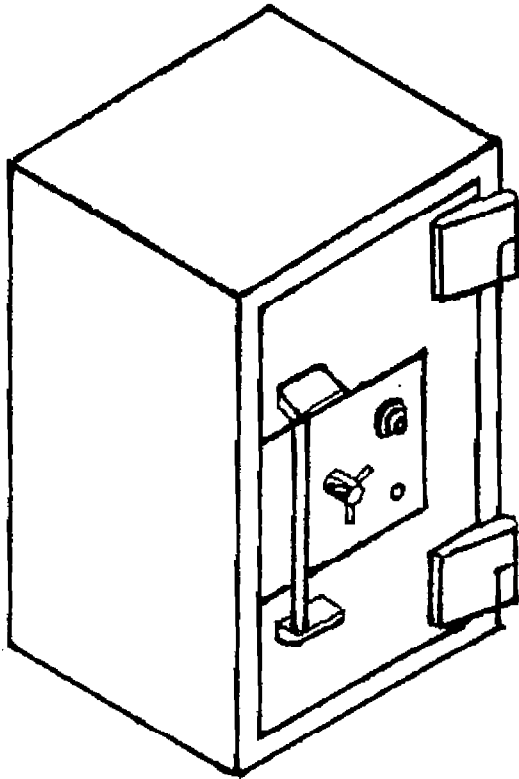


MGM TRTL-30x6 ULC



- IH = Inside Height
- IW = Inside Width
- OH = Outside Height
- OW = Outside Width
- OD = Outside Depth
- CH = Clear Height
- CW = Clear Width
- CD = Clear Depth
- DP = Door Projection

MGM ULC* TRTL-30x6

MODEL	Inside Dimensions H x W x D	Outside Dimensions H x W x D **	Jewelry Tray Capacity	Capacity (Cu. Ft.)	Body Weight (lbs.)	Est. Body Wt. (lbs.)
2618	26 x 18 x 16	36 x 28 x 29		4.33	1,850	2,470
3520	35 x 20 x 18.25	45 x 30 x 31		7.4	2,500	3,335
4522	45 x 22 x 18.25	55 x 33 x 31		10.5	3,020	4,160
5522	55 x 22 x 18.25	65 x 33 x 31		12.8	3,550	4,830
6422	64 x 22 x 18.25	74 x 33 x 31		14.9	4,000	5,435
6334	63 x 34 x 18.25	73 x 45 x 31		22.6	5,100	6,805

* All safes are "ULC" listed by Underwriters' Laboratories of Canada

** Add 2" to depth for handle and hinge projections

(Currently we stock only two models, the 2618 & the 3520)

MGM High Security Safes are manufactured to the highest quality standards of any factory in Canada. These composite "ULC" listed safes offer superior protection when compared to other safes with the same torch and tool resistant ratings.

For *Maximum Security* applications we offer a complete selection of "ULI" (USA) TRTL-15x6 & TRTL-30x6 safes from which to choose.

FEATURES:

- UL Group 1 Manipulation Resistant Combination Lock
- High Security Key Lock
- Glass Plate Protection
- 3-Spoke Capstan Handle
- Stainless Steel Fascia Panel
- Adjustable Shelves
- Fire Protection
- Additional & Custom Models Available

EMPIRE SAFE COMPANY, INC.

6 EAST 39TH STREET NEW YORK, NY 10016
212.684.2255 FAX: 212.684.5550