



VDS CLASS 5



VDS CLASS V

VdS GERMANY APPROVED EN1143-1 CLASS V

Six-sided protection against concentrated attacks with mechanical and electrical tools and oxy-acetylene torches.



Special Features: 2 hour, 350°F factory fire rating.

Body & Door: Multi-layered structure that combines outer and inner steel plates, reinforced steel bars and a monolithic casting of ISM special concrete based composite material of extreme hardness providing high resistance against concentrated attacks. Both body and door are reinforced with ISM's patented anti-penetration alloy grid.

Bolts & Locking Mechanisms: Three-way active boltwork. Double-action locking mechanism. Glass plate relocking protection on all locks.

Locks: Two UL/VdS approved locks. Mechanical or digital combination lock and a high security key lock.

Interior Fitting: Adjustable removable shelves. A hole at the back of the safe for alarm system connection - optional.



Glass Plate Relocking Protection



Multi Layered Structure



Reinforced Bolt Cylinders



4-Way Bolts Engagement



Special Alloy Grid

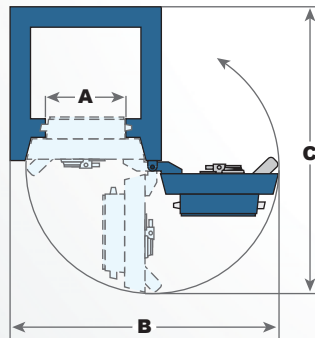


Double Locking Protection

Specifications

	VDS 33	VDS 33D	VDS 44	VDS 44D	VDS 59	VDS 59D	VDS 64	VDS 64D	VDS 68	VDS 68D
Outside Dimensions H / W / D	40½/33/28¼	40½/31/31½	51½/33/28¼	54¼/31/34½	66½/33/28¼	66½/31/34¼	70¾/33/28¼	71¼/31/34½	75½/38/31	75½/43/37½
Inside Dimensions H / W / D	33/26/17	33/24/20	44/26/17	44/24/23	59/26/17	59/24/23	64/26/17	64/24/23	68/31/19	68/36/26
Est. Weight (Lbs)	2645	2712	3152	3428	3880	4188	4122	4410	4960	5930
Volume (Cu. Ft)	8.4	9.2	11.2	14.1	15	18.7	16.2	20.2	23.7	36.9
Wall Thickness (inches)	3.55	3.55	3.55	3.55	3.55	3.55	3.55	3.55	3.55	3.55
Door Thickness (inches)	3.55	3.55	3.55	3.55	3.55	3.55	3.55	3.55	3.55	3.55
Special Alloy Grid	+	+	+	+	+	+	+	+	+	+
Fire Resistant (Hours)	2	2	2	2	2	2	2	2	2	2
Shelves	2	2	2	2	2	2	3	3	4	4
Number of Bolts	10	10	12	12	12	12	16	16	16	16
Bolt's Diameter (inches)	1.6	1.6	1.6	1.6	1.6	1.6	1.6	1.6	1.6	1.6
Mechanical Combination Lock	+	+	+	+	+	+	+	+	+	+
Digital Combination Lock	Optional	Optional	Optional	Optional	Optional	Optional	Optional	Optional	Optional	Optional
High Security Key Lock	+	+	+	+	+	+	+	+	+	+

* Weight Tolerance 5%.



Door Swing Projections & Aperture Dimensions

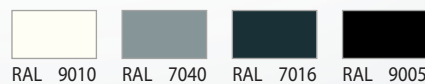
	VDS 33	VDS 33D	VDS 44	VDS 44D	VDS 59	VDS 59D	VDS 64	VDS 64D	VDS 68	VDS 68D
A Aperture	24	26	24	26	24	26	24	26	31.1	36
B Door Swing - 180°	56.7	60.6	55.5	59.4	57.5	59.4	55.5	59.4	71	80.9
C Door Swing - 90°	58.9	57.7	62	57.9	62	57.9	62	57.9	66.7	78

* Add 3.25" to outside depth for Pull-Handle.

Add Ons:

- Left Swing - Optinal - No charge
- Preparation (only) for movement time-lock - No charge - By Request
- Custome interior secured compartments - By Request
- Additional shelves - By Request

Colors:



ISM MAGEN GOLDMAN SAFES ENCLOSURE LTD

3 HaOdem Street, Barkan Industrial Zone, Israel 44820 | Tel: +972-3-9068839
Fax: +972-3-9068894 | Email: ism@ism-safes.co.il | Web: www.ism-safes.co.il



SAFE SINCE 1914