

HAMILTON SAFE

UNDER COUNTER EQUIPMENT



Hamilton Safe cash handling pedestal systems are designed to offer security, yet complement the interior design of your facilities. They are both attractive and functional.

All units are constructed from 18 and 20 gauge cold rolled steel.

All drawers are mounted on full ball bearing suspensions. These Suspensions carry a Lifetime Warranty.

All doors are double wall construction and mounted on a piano hinge.

Available color choices: Tan, Putty, Beige, Charcoal Grey, & Black

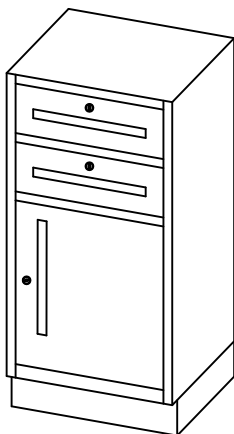
Dimensions: 38 "(H) X 19" (W) X 19"(D) (Unless otherwise noted)

Inside drawer dimensions: 4 1/2" (H) X 15 5/8"(W) X 16 3/8"(D) (For standard drawer sizes only)

MODEL HSTP-103

DESCRIPTION

- o Two(2) "S" drawers
- o Storage compartment
- o One(1) adjustable shelf
- o Magnetic latch
- o Adjustable levelers
- o 4" removable base
- o Specify right(R) or left(L) door swing
- o Wt. 130 lbs.



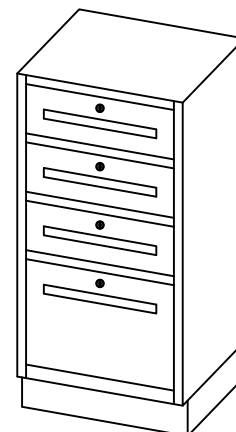
Model HSTP-103-1

Same as HSTP-103
except overall height is 27 1/2"
there is no base or adj. shelf
Wt. 104 lbs.

MODEL HSTP-106

DESCRIPTION

- o Three(3) "S" drawers
- o One(1) legal file drawer
- o with follower block
- o Adjustable levelers
- o 4" removable base
- o Wt. 160 lbs.



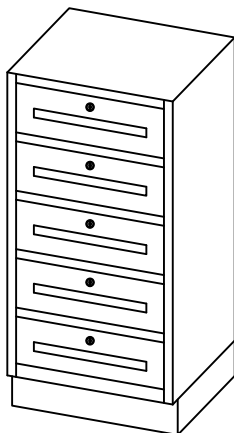
Model HSTP-106-1

Same as HSTP-106
except overall height is 27 1/2"
there is no base or adj. shelf
o Wt. 116 lbs.

MODEL HSTP-107

DESCRIPTION

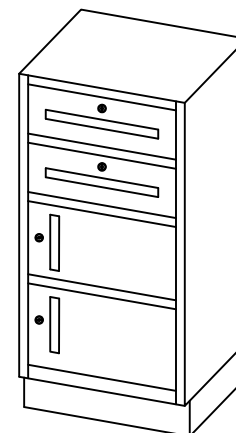
- o Five (5) "S" drawers
- o with follower block
- o Adjustable levelers
- o 4" removable base
- o Wt. 195 lbs.



MODEL HSTP-110

DESCRIPTION

- o Two(2) "S" drawers
- o Two(2) Storage compartment
- o Magnetic latches
- o Adjustable levelers
- o 4" removable base
- o Specify right(R) or left(L) door swing
- o Wt. 135 lbs.



Hamilton Safe cash handling pedestal systems are designed to offer security, yet complement the interior design of your facilities. They are both attractive and functional.

All units are constructed from 18 and 20 gauge cold rolled steel.

All drawers are mounted on full ball bearing suspensions. These Suspensions carry a Lifetime Warranty.

All doors are double wall construction and mounted on a piano hinge.

Available color choices: Tan, Putty, Beige, Charcoal Grey, & Black

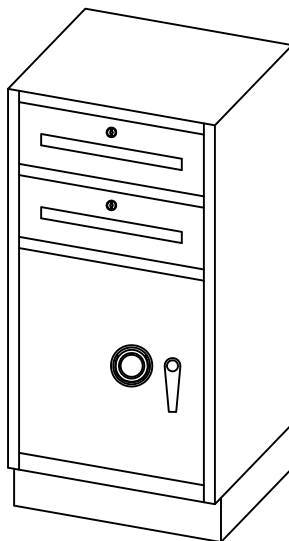
Dimensions: 38 "(H) X 19" (W) X 19"(D) (Unless otherwise noted)

Inside drawer dimensions: 4 1/2" (H) X 15 5/8"(W) X 16 3/8"(D) (For standard drawer sizes only)

MODEL HSTP-403

DESCRIPTION

- Two(2) "S" drawers
- One(1) coin locker
- One(1) adjustable shelf
- 1/2" door with 1/4" locker
- 3-point locking with deadbolt
- Combination lock
- Enclosed boltwork
- Adjustable levelers
- 4" removable base
- Specify right(R) or left(L) door swing
- Wt. 280 lbs.



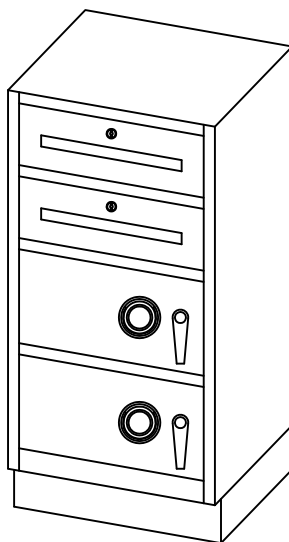
Model HSTP-403-1

Same as HSTP-403 except overall height is 27 1/2" there is no base or adj. shelf
Wt. 250 lbs.

MODEL HSTP-503

DESCRIPTION

- Two(2) "S" drawers
- Two(2) coin locker
- 1/2" door with 1/4" collar
- Large safe handle with shear groove
- 3-point locking with deadbolt
- Combination lock
- Enclosed boltwork
- Adjustable levelers
- 4" removable base
- Specify right(R) or left(L) door swing
- Wt. 279 lbs.



Hamilton Safe cash handling pedestal systems are designed to offer security, yet complement the interior design of your facilities. They are both attractive and functional.

All units are constructed from 18 and 20 gauge cold rolled steel.

All drawers are mounted on full ball bearing suspensions. These Suspensions carry a Lifetime Warranty.

All doors are double wall construction and mounted on a piano hinge.

Available color choices: Tan, Putty, Beige, Charcoal Grey, & Black

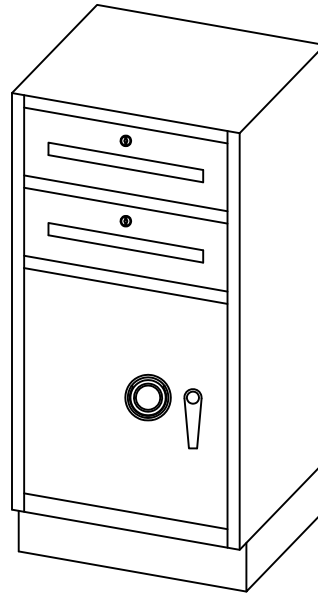
Dimensions: 38 "(H) X 19" (W) X 19"(D) (Unless otherwise noted)

Inside drawer dimensions: 4 1/2" (H) X 15 5/8"(W) X 16 3/8"(D) (For standard drawer sizes only)

MODEL HSTP-803

DESCRIPTION

- Two(2) "S" drawers
- One(1) coin locker
- One(1) adjustable shelf
- 1 Shell door
- 3-point locking with deadbolt
- Combination lock
- Enclosed boltwork
- Adjustable levelers
- 4" removable base
- Specify right(R) or left(L) door swing
- Wt. 205 lbs.



Model HSTP-803-1

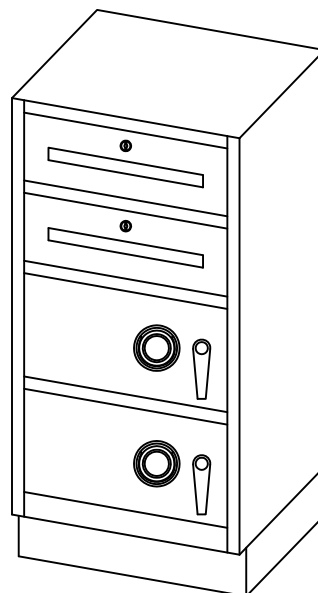
Same as HSTP-803 except overall height is 27 1/2" there is no base or adj. shelf
 ○ Wt. 250 lbs.

* SIMILAR TO HSTP-403 SERIES EXCEPT USING SHELL DOORS *

MODEL HSTP-903

DESCRIPTION

- Two(2) "S" drawers
- Two(2) coin locker
- 2 Shell Doors
- Large safe handle with shear groove
- 3-point locking with deadbolt
- Combination lock
- Enclosed boltwork
- Adjustable levelers
- 4" removable base
- Specify right(R) or left(L) door swing
- Wt. 210 lbs.



* SIMILAR TO HSTP-503 SERIES EXCEPT USING SHELL DOORS *

Hamilton Safe cash handling pedestal systems are designed to offer security, yet complement the interior design of your facilities. They are both attractive and functional.

All units are constructed from 18 and 20 gauge cold rolled steel.

All drawers are mounted on full ball bearing suspensions. These Suspensions carry a Lifetime Warranty.

All doors are double wall construction and mounted on a piano hinge.

Available color choices: Tan, Putty, Beige, Charcoal Grey, & Black

Dimensions: 38 "(H) X 38" (W) X 19"(D)

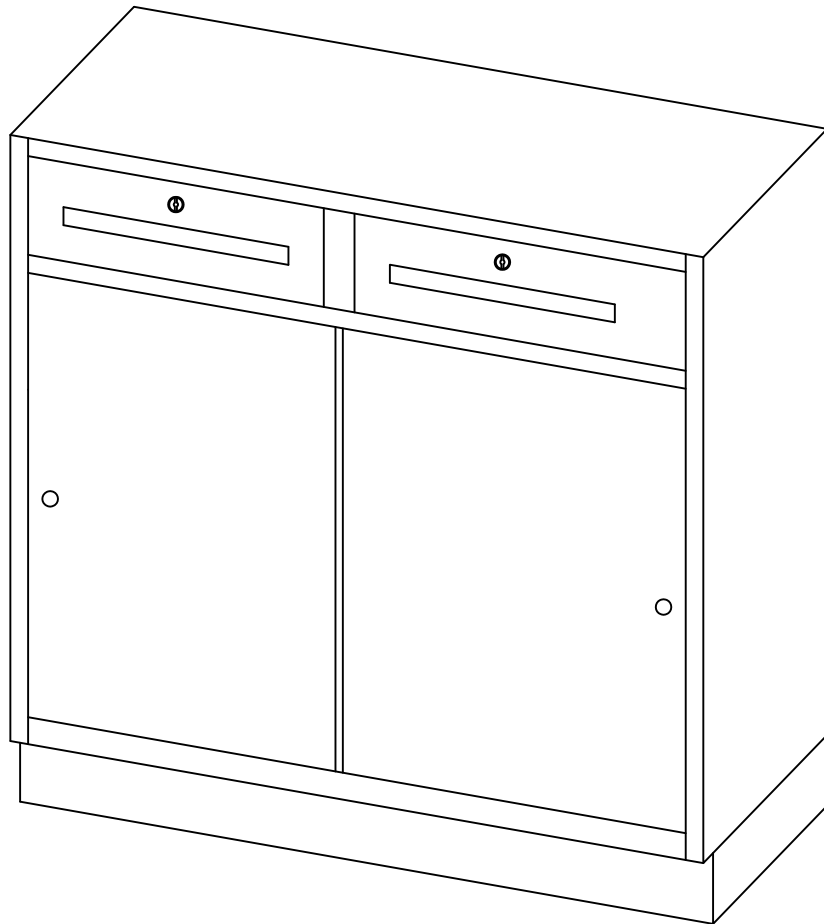
Inside drawer dimensions: 4 1/2" (H) X 15 5/8"(W) X 16 3/8"(D) (For standard drawer sizes only)

MODEL HSDW-102

38"H X 38"W X 19"D

DESCRIPTION

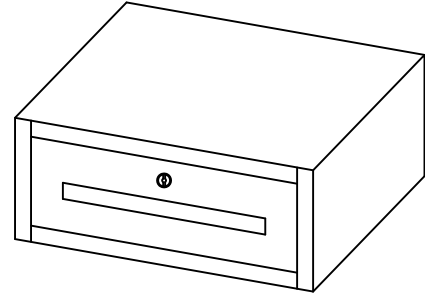
- Two(2) sliding doors
- Two(2) "S" drawers
- One(1) adjustable shelf
- Adjustable levelers
- Wt. 175 lbs.



MODEL HSKS-101

DESCRIPTION

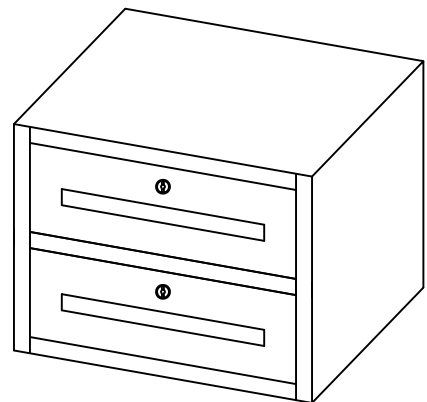
- One (1) "S" drawers
- Two full ball bearing suspensions
- Dimensions: 7 1/2" (H) x 19" (W) x 19" (D)
- Wt. 40 lbs.



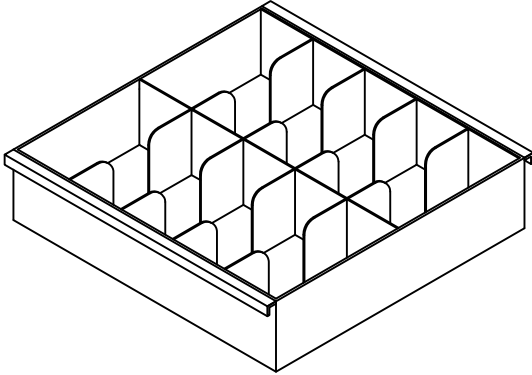
MODEL HSKS-202

DESCRIPTION

- Two (2) "S" drawers
- Two full ball bearing suspensions
- Dimensions: 14" (H) x 19" (W) x 19" (D)
- Wt. 60 lbs.



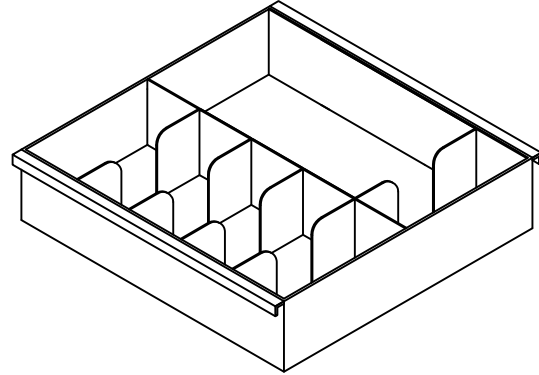
MODEL HSCT-310



DESCRIPTION

- Currency tray
- Ten (10) currency compartments
- 3 11/16" (H) x 14 3/4" (W) x 14 3/4" (D)
- Wt. 2 lbs.

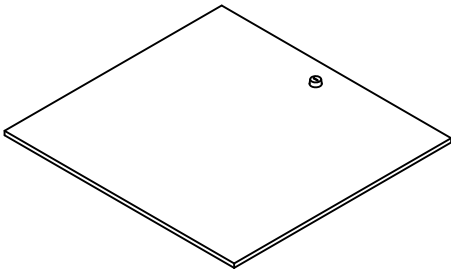
MODEL HSCT-311



DESCRIPTION

- Currency tray
- Six (6) currency compartments
- One (1) compartment
- 3 11/16" (H) x 14 3/4" (W) x 14 3/4" (D)
- Wt. 2 lbs.

MODEL HSCT-211



DESCRIPTION

- Cover with lock
- Fits on HSCT-310 & HSCT-311
- Keyed to teller Station at no additional charge
- Wt. 3 lbs.

MODEL HSCT-CS

DESCRIPTION

- Coin Sorter
- Fits in HSCT-311 tray
- Wt. 1 lbs.



MODEL HSCT-303

DESCRIPTION

- Coin tray
- Fits in all trays
- Three (3) coin compartments
- 3 1/4" (H) x 6 3/4" (W) x 2 3/4" (D)
- Wt. 1 lbs.

