



LET  
A  
LION

GUARD  
YOUR  
CASH

Now, for the first time, you can keep your cash safely and properly in double burglar-proof Class E safes.

*AT PRICES 50% LOWER THAN ANY  
MONEY SAFE ON THE MARKET TODAY*



LET  
A  
LION

GUARD  
YOUR  
CASH

*The new Empire Lion Safe is specifically designed for the convenient and safe storage of trays of cash.*

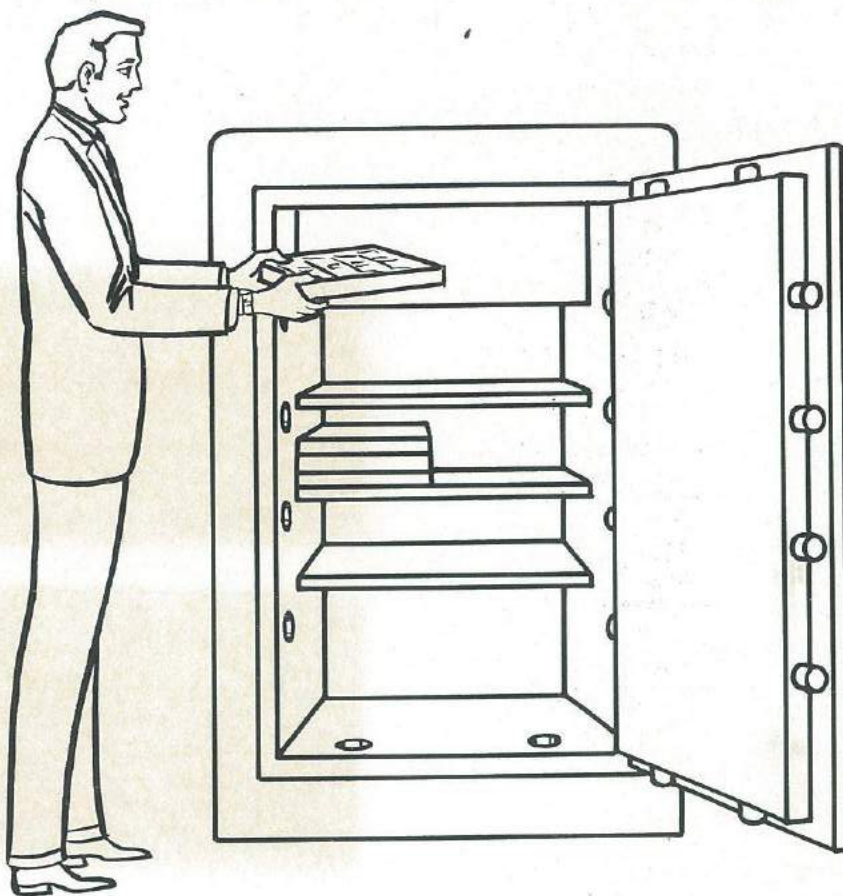
**No stoop,  
no squat,  
no spill of cash**

by trying to place trays through round holes.

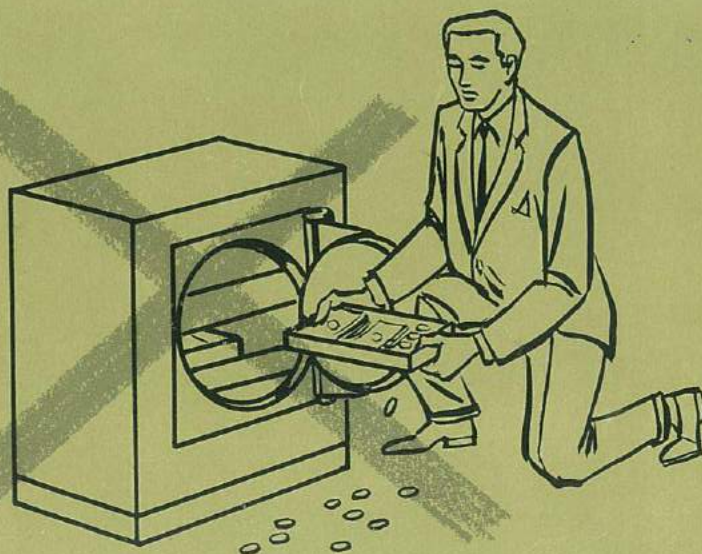
All other money safes on the market force the users to store cash trays through circular apertures which create spillage through improper storage.

The new Empire Lion Safe is the only money safe designed with full opening vault construction door and the interior has adjustable shelves on which the cash trays are placed.

Equipped with key locking dial for dual-control – and convenience in opening safe frequently during the day.



OLD  
FASHIONED  
WAY





LET  
A  
LION

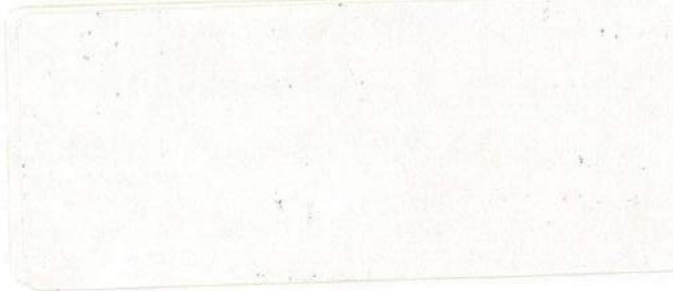
GUARD  
YOUR  
CASH

The new Empire Lion Safe is available  
at as much as **50% LESS** than  
any other money safe on the market today.

### Model 4020 EE—Empire Lion Safe



### Model 3020 EE—Empire Lion Safe

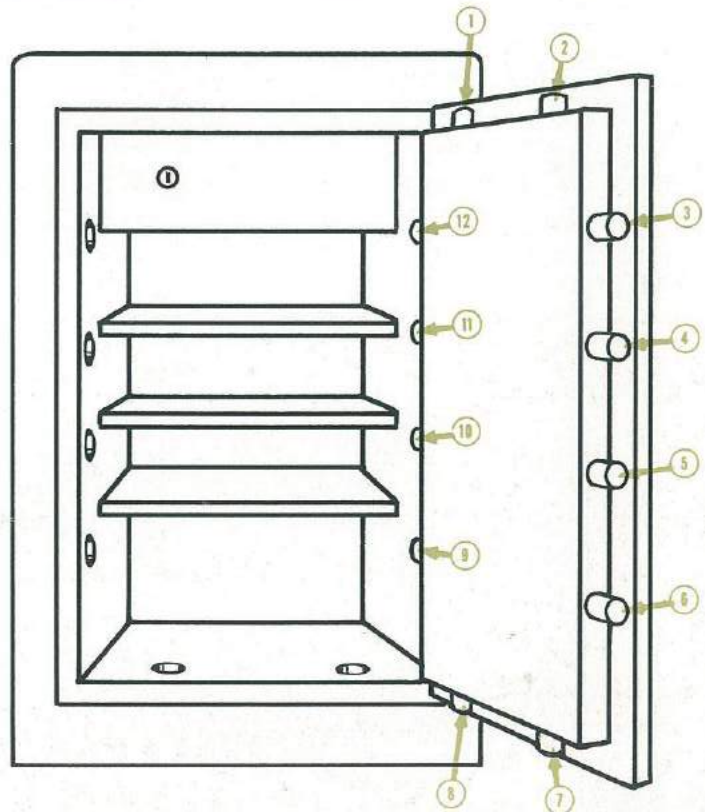


2 locking bolts

Trade-In Allowance on your present equipment.

And here are the other advantages engineered  
into the new Empire Lion Safe line.

- Locking Mechanism consists of 12 locking bolts . . . Competition has only 3
- E Rating—50% saving on insurance premiums on contents of safe with E Rating
- Fire-proof too. Competitor's safe does not have insulation for fire resistance
- 25% more storage space than competitive safes
- Sargeant & Greenleaf spy-proof combination lock with RE-LOCKING DEVICE



Competition has only 3



**LET  
A  
LION**

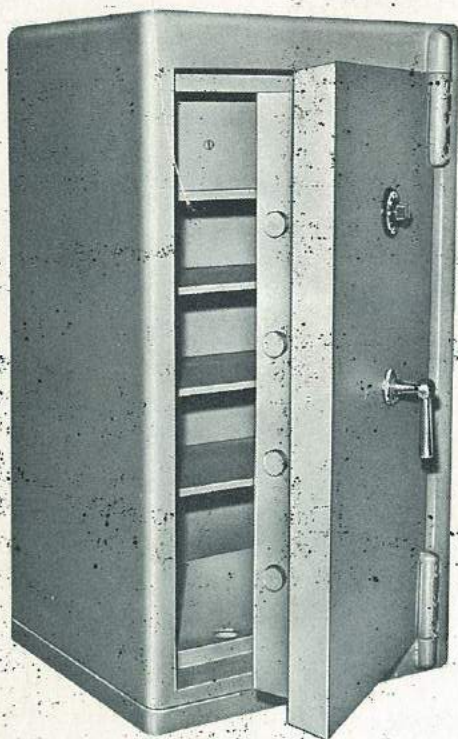
**GUARD  
YOUR  
CASH**

The new Empire Lion Safe is the first modern safe to be engineered for the purpose of storing cash in trays, as well as currency.

It is specifically designed for the discount stores, supermarkets, banks and other types of organizations that require easily stored and readily accessible register trays.

It has an additional heavy steel inner compartment with separate lock for holding bulk cash.

Available in two models as illustrated and specified below.



**Model 4020 EE**

Overall Size:  
51 1/4" High, 27 1/4" Wide, 26 1/2" Deep  
Inside Size:  
41" High, 20" Wide, 16" Deep  
Door Opening:  
41" High, 20" Wide  
Net Weight: 2400 lbs.



**Model 3020 EE**

Overall Size:  
41 1/2" High, 27 1/4" Wide, 26 1/2" Deep  
Inside Size:  
31" High, 20" Wide, 16" Deep  
Door Opening:  
31" High, 20" Wide  
Net Weight: 2000 lbs.

We will be delighted to discuss with you, at no obligation, how these new Empire double burglar-proof Class E safes can be used in your organization and save you money, as they are now saving money for major supermarket, discount organizations and banks.

SERVICE GUARANTEED throughout U.S.A.

Please telephone us and we will be delighted to make a call at your convenience.

**EMPIRE**  
EMPIRE SAFE COMPANY, INC.

**EMPIRE SAFES**  
Office and Showroom: 1

Phone: CANAL 6-2255  
New York 10013